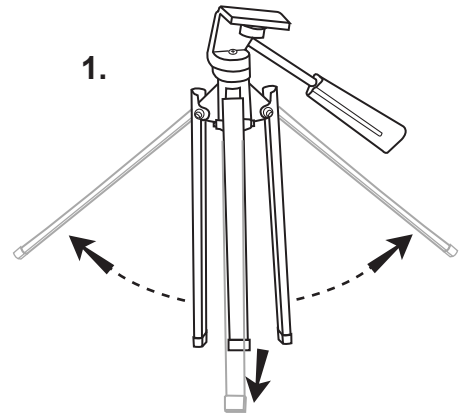
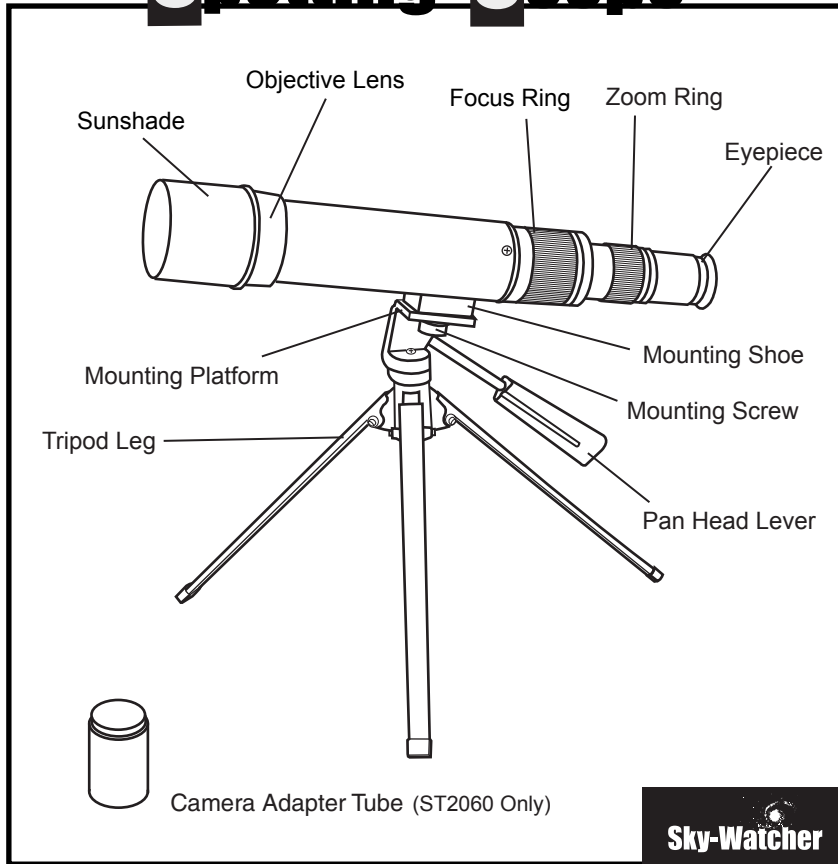
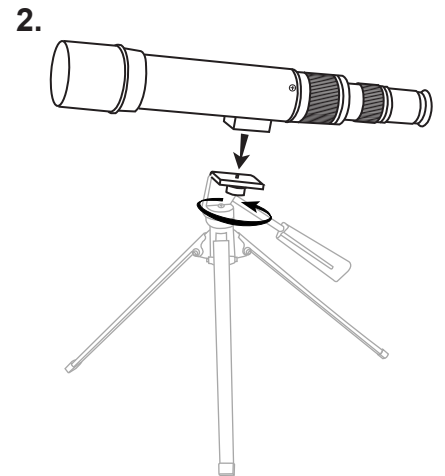


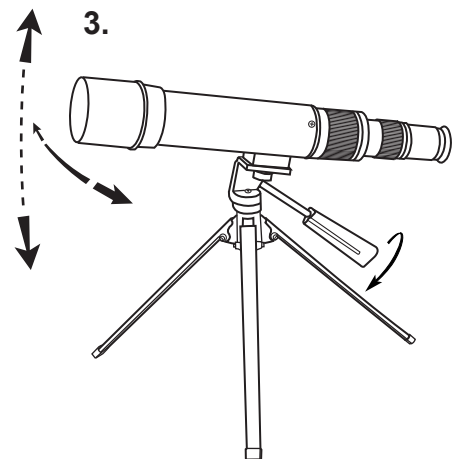
Spotting Scope



Spread tripod legs completely and set on firm support.



Secure spotting scope to tripod by tightening mounting screw.



Loosen the pan head lever to make side-to-side or up-and-down adjustments.

Focusing An Object

- Find the object through the eyepiece.
- Rotate focus ring until image is sharp.

Zooming

- Rotate the zoom ring to adjust the magnification to the desired level.
- Repeat the focusing step.

Telephotography

- Screw the camera adapter tube (included with ST2060) onto the spotting scope eyepiece.
- Thread the T/2 ring for your camera onto the camera adapter tube.
- Attach camera to assembly.

Technical Support

Canada: 604-270-2813
between 9:00AM and 3:00PM PST
Outside Canada: Please contact your dealer for technical support.

If you are interested in submitting telephotographs taken with Sky-Watcher telescopes, or articles concerning any Sky-Watcher products, please call us at 604-241-7027.

CAUTION! NEVER USE YOUR TELESCOPE TO LOOK DIRECTLY AT THE SUN. PERMANENT EYE DAMAGE WILL RESULT. ☐